

PaX-i PlusTM



5.0 LP/MM PANO IMAGE QUALITY

- Optimal image for accurate diagnosis

RAPID CEPH

- 1.9 second acquisition time produces superb image quality
- Reduced motion artifacts and faster workflow

USER_FRIENDLY EZDENT_I SOFTWARE

- Powerful diagnostic value with Insight feature
- Complete solution for consultation
- Easy to learn, easy to use

THE ADVANCED IMAGING SOLUTION FOR ACCURATE DENTAL DIAGNOSIS

The PaX-i Plus provides the most precise and high quality panoramic images by combining image processing and accumulated experience in dental imaging from Vatech.

This will increase your diagnostic accuracy for improved treatment planning and patient satisfaction.



MAKE YOUR DIAGNOSIS EASY AND EFFICIENT WITH VARIOUS CAPTURE MODES



Bitewing Mode



TMJ Mode

SELECTION	ARCH	EXAMINATION MODE
PANO EXAMINATION	Narrow / Normal Wide / Child	Standard / Right / Front / Left
	Orthogonal	Orthogonal Standard / Right / Front / Left Bitewing Standard / Right / Front / Left
SPECIAL EXAMINATION	Normal	TMJ LAT Open / Close TMJ PA Open / Close Sinus LAT / PA

MINIMIZE MOTION ARTIFACTS WITH RAPID CEPH TECHNOLOGY

The next step in cephalometric technology, Vatech's new Rapid Ceph minimizes motion artifacts and enables faster diagnostic workflow while providing the highest quality digital images.

GREAT CLINICAL CARE WITH RAPID CEPH TECHNOLOGY



PRODUCT CONFIGURATION

	PANO	CEPH
PaX-i Plus	•	–
PaX-i Plus RC	•	•

SPECIFICATIONS (PaX-i Plus : PCH-30CS)

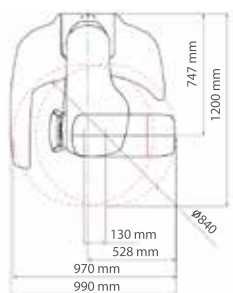
Function		Pano + Ceph	
Focal Spot		0.5 mm (IEC60336)	
Scan Time	Pano	Normal	10.4 sec
		HD	14 sec
	Ceph	1.9 / 3.9 sec	
Gray Scale		14 bit	
Tube Voltage / Current		60 ~ 99 kV / 4 ~ 10 mA	

Weight	Without Ceph unit	95 kg (209.4 lbs. – without Base)
		135 kg (297.6 lbs. – with Base)
Weight	With Ceph unit	120 kg (264.5 lbs. – without Base)
		160 kg (352.7 lbs. – with Base)
Dimensions	Without Ceph unit	990 mm (L) x 1200 mm (W) x 2300 mm (H)
	With Ceph unit	1930 mm (L) x 1200 mm (W) x 2300 mm (H)

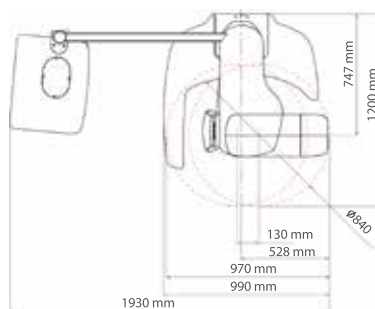
* The specifications are subject to change without prior notice.

DIMENSIONS [Unit: mm]

TOP VIEW

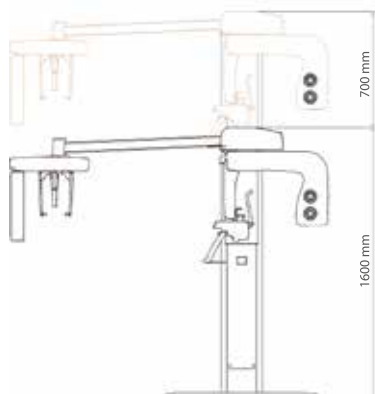
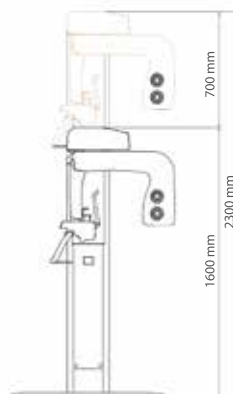


Without CEPH unit



With CEPH unit

FRONT VIEW



THE WORLD'S FIRST CLINICAL IMAGING & PATIENT CONSULTATION SOLUTION



Featuring... Vatech's Virtual Consultation Tool (VCT)

With over 200 unique animations, the virtual consultation tool gives you the tools to not only educate patients on treatment plans, but also to show how the plan is relevant to their specific case.



Get The Most Out Of Your Images

Using our revamped Sharpening and Max Sharpening tools, enhance the quality of your images even further than ever before.



Manage Your Images, The Easy Way

Organize and export your images quickly and efficiently and avoid complicated procedures and training using EzDent-i's intuitive Click-And-Drag based interface.



